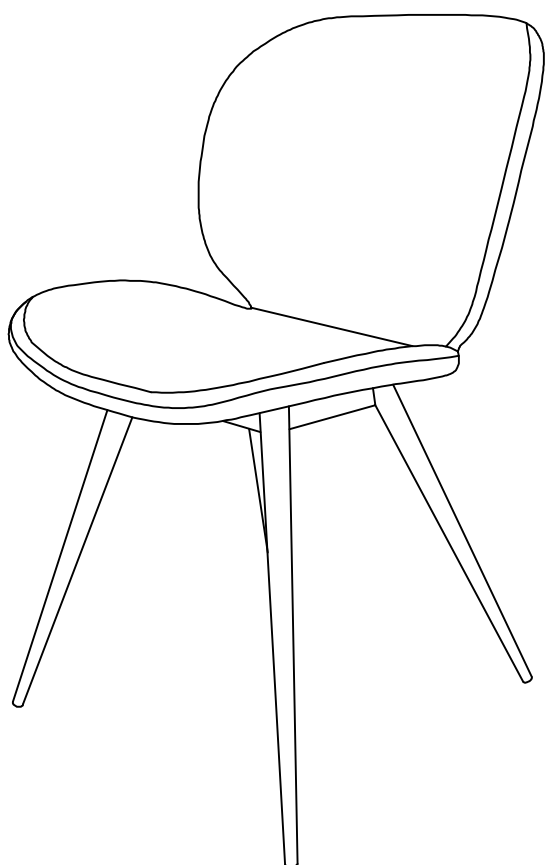
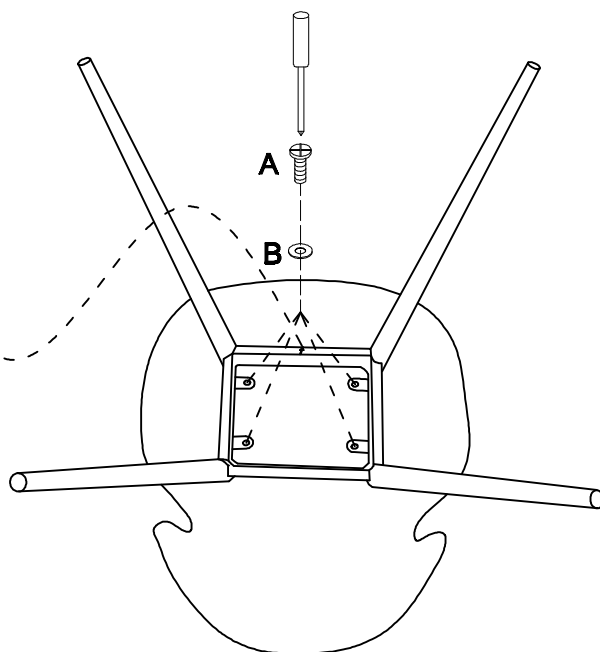
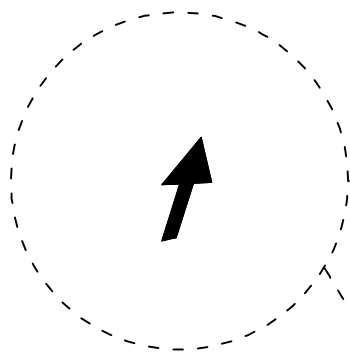


⊕ X4 (A)

⊙ X4 (B)



For all velvet products, we recommend to use steamer to take away any unavoidable marks that is caused by transportation.